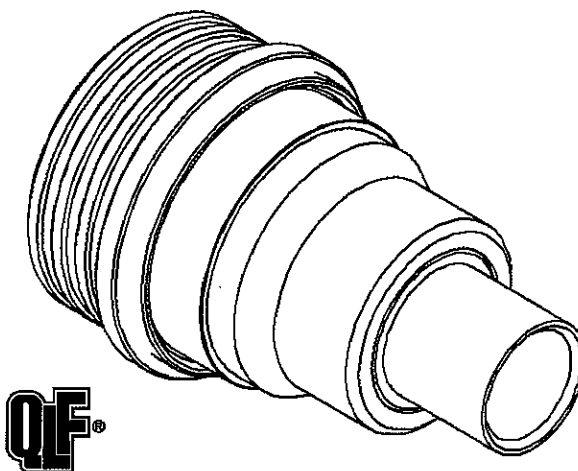
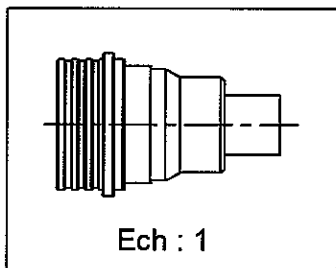
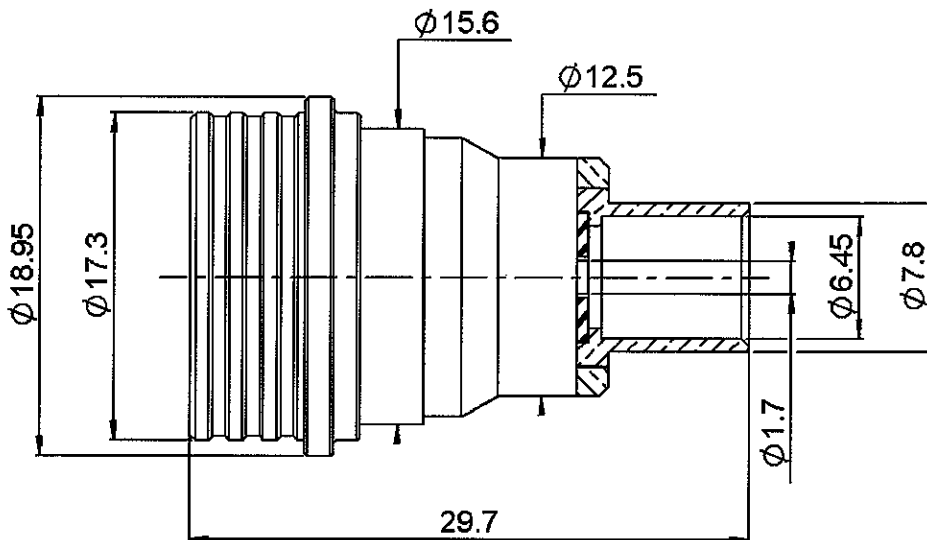


STRAIGHT PLUG SOLDER TYPE

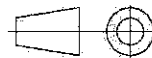
R164.054.002

CABLE .250

Series : QN



All dimensions are in mm.



COMPONENTS	MATERIALS	PLATINGS (μm)
BODY	BRASS	BBR 0.5 OVER SILVER 3
CENTER CONTACT	BRASS	GOLD 1.3 OVER COPPER 2.5
OUTER CONTACT	BERYLLIUM COPPER	GOLD 0.3 OVER CHEMICAL NICKEL
INSULATOR	PTFE	
GASKET	EPDM	
OTHERS PARTS	BRASS	GOLD 1 OVER COPPER 2
-	-	-
-	-	-

Issue : 0520 B

In the effort to improve our products, we reserve the right to make changes judged to be necessary.



STRAIGHT PLUG SOLDER TYPE

R164.054.002

CABLE .250

Series : QN

PACKAGING

Standard	Unit	Other
50	'W' option	Contact us

SPECIFICATION

ELECTRICAL CHARACTERISTICS

Impedance		50 Ω
Frequency		*0-6 GHz
VSWR	1.05 +	0.025 x F(GHz) Maxi
Insertion loss		0.048 √F(GHz) dB Maxi
RF leakage	- (**90	- F(GHz)) dB Maxi
Voltage rating		700 Veff Maxi
Dielectric withstanding voltage		1500 Veff mini
Insulation resistance		5000 MΩ mini

CABLE ASSEMBLY

Stripping	a	b	c	d	e	f
mm	4.50	0.00	0.00	0.00	0.00	0.00

Assembly instruction :

Recommended cable(s)
KS 3
RG 401

Characteristics indicated on this data sheet are those that can be achieved with the highest performance cable. Intrinsic limitations of the cable may diminish the performance of the assembly

Cable retention

- pull off **500** N mini
- torque **NA** N.cm

MECHANICAL CHARACTERISTICS

Center contact retention		
Axial force – Mating end	NA	N mini
Axial force – Opposite end	NA	N mini
Torque	NA	N.cm mini

Recommended torque		
Mating	NA	N.cm
Panel nut	NA	N.cm
Clamp nut	NA	N.cm
A/F clamp nut	0.000	mm

Mating life	100	Cycles mini
Weight	18.900	g

TOOLING

Part Number	Description	Hexagon
R282.054.000	STRIPPING TOOL	
R282.074.020	POINTER GAUGE CABLE .250	
R282.740.030	SOLDERING MOUNTING	
R282.744.261	SOLDERING POSITIONER N	
R282.862.140	SOLDER GAUGE THICKNESS 0.0276	

ENVIRONMENTAL

Operating temperature	-55/+125	°C
Hermetic seal	NA	Atm.cm3/s
Panel leakage	NA	

OTHERS CHARACTERISTICS

- * Usable 0-11GHz
- **RF Leakage: -80dBm 3<F<6GHz
- ***PIM3 : -112dBm (2 x 20W at 1.8GHz)

Issue : 0520 B

In the effort to improve our products, we reserve the right to make changes judged to be necessary.



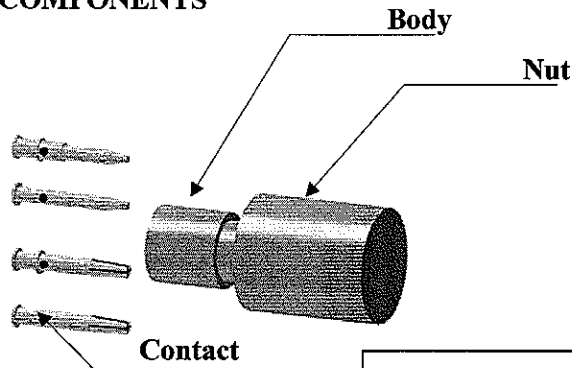
STRAIGHT PLUG SOLDER TYPE

R164.054.002

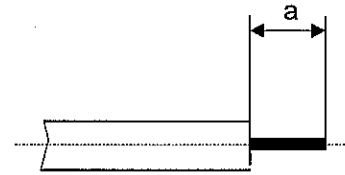
CABLE .250

Series : QN

COMPONENTS



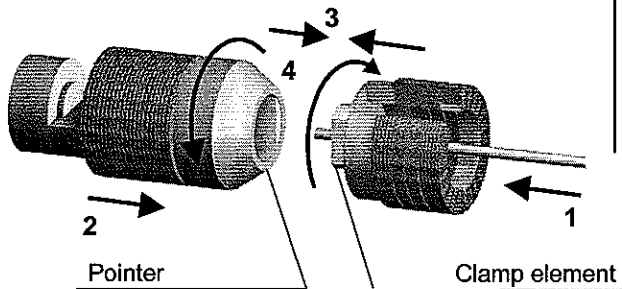
STRIPPING DIMENSIONS



We recommend a thermal preconditioning cable

1

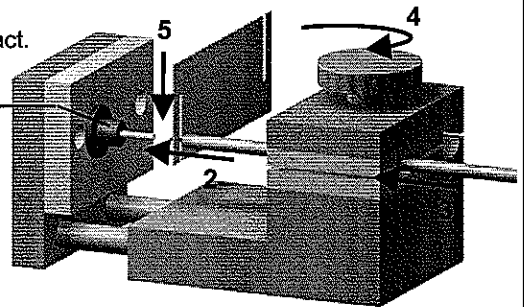
Insert the cable into the clamp element.
Present the pointer in front of the clamp element.
Push the cable until it stops, while holding the clamp element pushed on the hollow part of the pointer.
Turn the clamp element until the release of the pointer.



3

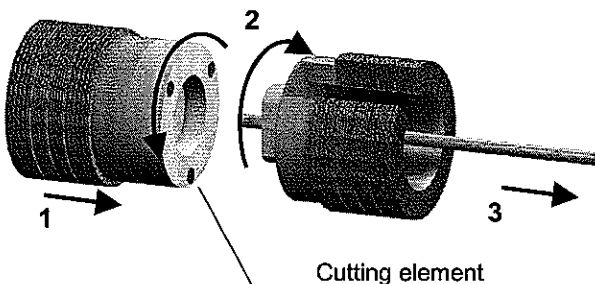
Mount the positioner A.
Slide the centre contact into the positioner A.
Insert the solder gauge between the centre contact and the cable.
Tighten
Solder the contact.

1 - Positioner A



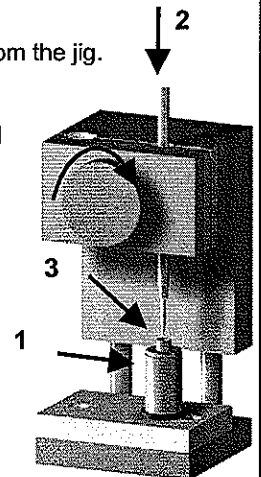
2

Present the cutting element in front of the clamp element.
Push and turn both elements, back part opposite to the front part. Once they reach the stop, pull without revolving.



4

After cooling, remove the assembly from the jig.
Positioning the connector onto the Assembly jig.
Slide the cable into the connector until it bottoms against the insulator
Tighten.
Put three rings of solder around the cable and solder.
After cooling, remove the assembly from the jig.



Issue : 0520 B

In the effort to improve our products, we reserve the right to make changes judged to be necessary.



RADIALL®